

10/100BASE-T Single Port  
Transformer Module

Part Number:

HR601680

Electrical Specification @25°C

Isolation: 1500Vrms (Primary to Secondary)

OCL: 350uH Minimum @100KHz 100mV with 8mADC

Insertion Loss: -1.1dB Maximum @300KHz ~ 100MHz

Return Loss: -20dB Typical @30MHz

-14dB Typical @60MHz

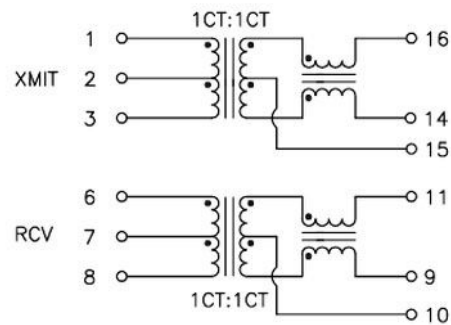
-11.5dB Minimum @80MHz

Different to Common Mode Rejection: -37dB Typical @30MHz ~ 50MHz

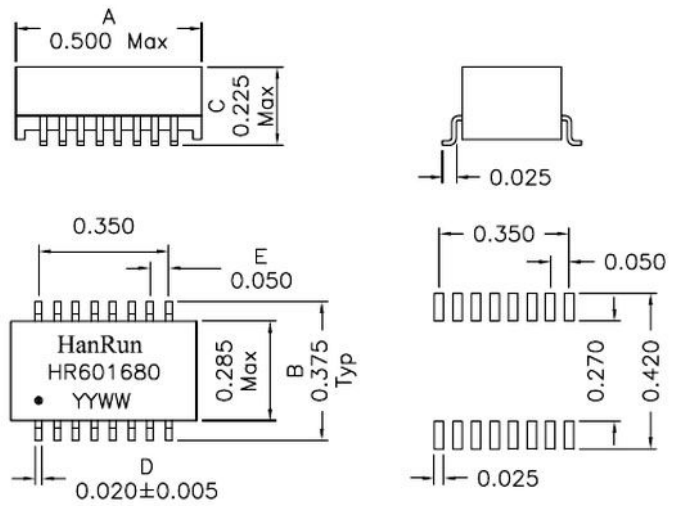
-30dB Typical @100MHz

Crosstalk: -45dB Typical @1MHz ~ 30MHz / -35dB Typical @60MHz ~ 100MHz

Schematics



Mechanical Dimensions



SUGGESTED PCB PAD LAYOUT

Part No.: HR601680	Unless otherwise specified, Tolerance:	Rev: A	DRWN:	Date:
Dimensions in inches	.xxx ±0.010	Page 1/1	APPD:	Date: